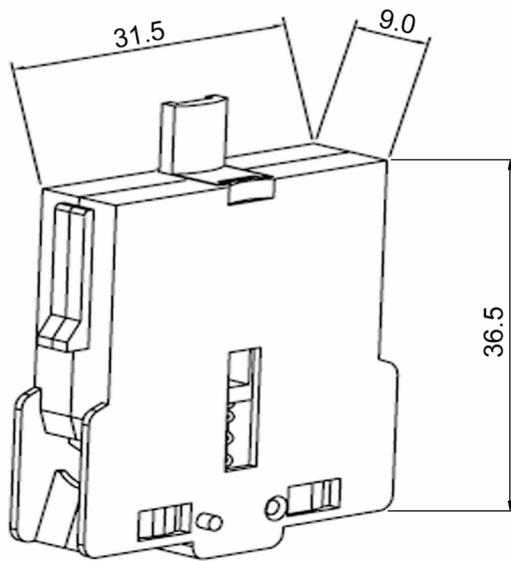
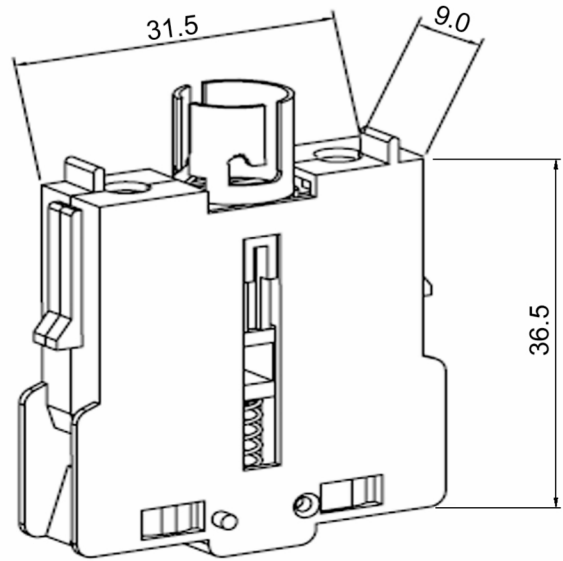


TS-A
TS-B



TS-L
TS-W
TS-WL



TS-A	green	NO contact
TS-B	red	NC contact
TS-L	yellow	LED socket
TS-W	gray	latching module
TS-WL	gray	latching module w/LED socket

Specifications:

Utilization category: AC-15; A600; 3 A at 240 V; 1.9 A at 380 V
DC-13; P600; 0.55 A at 250 V

Rated thermal current: 10 A

Rated insulation voltage: 650 V

Minimum load: 3 V, 5 mA

Contact resistance: 50 mOhm max.

Insulation resistance: >100 MOhm at 500 V DC

Dielectric strength: 2500 V, 50 Hz for the duration of 1 minute

Operating temperature: illuminated components: -25°C to +55°C
others: -25°C to +70°C

Storage temperature: -40°C to +85°C

Operation/storage humidity: 45 to 85 % RH

Contamination class: 3

Vibration resistance: 10 - 55 Hz, 0.5 mm

Shock resistance: 10 G (Malfunction), 10 G (Destruction)

Mechanical life: 5 000 000 cycles

Electrical life: 500 000 cycles

Contact design: positive break for NC contacts

Referenced safety standards: UL508, CSA 22.2 No.4, EN60947-5-1, EN60947-5-5

Compliance: RohS II (2011/65/EU)

Tolerances:	Date	Name
		09/18
Modifications	Date	Name

ICE TSxx

knitter-switch

30 41 54

Page

1/1